

TAX LEVY ORDINANCE

TOWNSHIP

ORDINANCE No. 6

FILED

NOV 09 2004

Mark Sheldon
CHAMPAIGN COUNTY CLERK

An ordinance levying taxes for all town purposes for Newcomb Township,
Champaign County, Illinois, for the tax year 2004 collectable in 2005.

BE IT ORDAINED by the Board of Trustees of Newcomb Township,
Champaign County, Illinois, as follows:

SECTION 1: That the sum of ninety-nine thousand seven hundred
_____ Dollars (\$99,700.00) are hereby levied upon all
property subject to taxation within the Township as that property is assessed and equalized, in order to
meet and defray all the necessary expenses and liabilities of the Township as required by statute or voted
by the people in accordance with the law, for such purposes as:

- _____ General Town Fund _____, _____ Insurance _____,
- _____ General Assistance _____,
- _____ IMRF _____,
- _____ Social Security _____,

for the year 2003

SECTION 2: That the amount levied for each object and purpose shall be as follows:

	<u>Amount</u>	
	<u>Levied</u>	
<u>GENERAL TOWN FUND</u>		
<u>ADMINISTRATION</u>		
Personnel	60,000	
Contractual Services	2,000	
Commodities	2,000	
Capital Outlay	5,000	
Other Expenditures	1,000	
TOTAL ADMINISTRATION:		70,000
<u>ASSESSOR</u>		
Personnel	0	
Contractual Services	0	
Commodities	0	
Capital Outlay	0	
Other Expenditures	0	
TOTAL ASSESSOR:		0
<u>CEMETERY</u>		
Personnel	500	
Contractual Services	8,200	
Commodities	6,500	
Capital Outlay	0	
Other Expenditures	0	
TOTAL CEMETERY:		15,200
<hr/>		
Personnel	0	
Contractual Services	0	
Commodities	0	
Capital Outlay	0	
Other Expenditures	0	
TOTAL _____:		0
TOTAL GENERAL TOWN FUND:		85,200

REF: General Corporate Tax 60 ILCS 1/235-10

	<u>Amount Levied</u>	
<u>AUDIT FUND</u>		
Contractual Services	0	
TOTAL AUDIT FUND:		0

REF: Audit Tax 50 ILCS 310/9

INSURANCE FUND

Personnel	2,500	
Contractual Services	3,500	
TOTAL INSURANCE FUND:		6,000

REF: Insurance Tax 745 ILCS 10/9-107

ILLINOIS MUNICIPAL RETIREMENT FUND (IMRF)

Personnel	3,500	
TOTAL IMRF FUND:		3,500

REF: IMRF Tax 40 ILCS 5/7-171

SOCIAL SECURITY FUND

Personnel	5,000	
TOTAL SOCIAL SECURITY FUND:		5,000

REF: Social Security Tax 40 ILCS 5/21-110 & 110.1

CEMETERY FUND

Personnel		
Contractual Services	0	
Commodities	0	
Capital Outlay	0	
Other Expenditures	0	
TOTAL CEMETERY FUND		0

REF: Cemetery Tax 50 ILCS 610c & 60 ILCS 1/135-50

**Amount
Levied**

GENERAL ASSISTANCE FUND

ADMINISTRATION

Personnel	0
Contractual Services	0
Commodities	0
Capital Outlay	0
Other Expenditures	0

TOTAL ADMINISTRATION: 0

HOME RELIEF

Contractual Services	0
Commodities	0
Other Expenditures	0

TOTAL HOME RELIEF: 0

TOTAL GENERAL ASSISTANCE FUND: 0

REF: Public Assistance Tax 60 ILCS 1/235-20

FUND

Personnel	0
Contractual Services	0
Commodities	0
Capital Outlay	0
Other Expenditures	0

TOTAL _____ FUND: 0

REF: _____ Tax _____ ILCS _____

TAX LEVY SUMMARY

General Corporate Tax	85,200
Audit Tax	0
Insurance Tax	6,000
Illinois Municipal Retirement Tax	3,500
Social Security Tax	5,000
Public Assistance Tax	0
Cemetery Tax	0
_____ Tax	0

TOTAL TAXES LEVIED: 99,700

SECTION 3: That the Town Clerk shall make and file with the County Clerk of said County of
Champaign, on or before the last Tuesday of December, a duly certified copy
of this ordinance.

SECTION 4: That if any section, subdivision, or sentence of this ordinance shall for any reason be held
invalid or to be unconstitutional, such finding shall not effect the validity of the remaining portion of this
ordinance.

SECTION 5: That this ordinance shall be in full force and effect after its adoption, as provided by law.

ADOPTED THIS 1ST DAY OF NOVEMBER, 2004, PURSUANT TO A ROLL CALL VOTE BY THE
of Trustees of Newcomb Township, Champaign _____
County, Illinois.

BOARD OF TRUSTEES

<u>AYE</u>	<u>NAY</u>	<u>ABSENT</u>
✓	—	—
✓	—	—
✓	—	—
✓	—	—
—	—	—

[Handwritten signatures of Board of Trustees members]

Muriel D. Dean
Town Clerk

Ronald E. Menard
Chairman - Board of Trustees

CERTIFICATION OF TAX LEVY ORDINANCE

TOWNSHIP

The undersigned, duly elected, qualified and acting Clerk of Newcomb Township, Champaign County, Illinois, does hereby certify that the attached hereto is a true and correct copy of the Tax Levy Ordinance, of said Township for the year 2004, as adopted this 1st day of November 2004.

This certification is made and filed pursuant to the requirements of (60 ILCS 1/75-20) and on behalf of _____ Newcomb _____ Township, _____ Champaign _____ County, Illinois.

This certification must be filed by the last Tuesday in December.

DATED THIS 1ST OF NOVEMBER 1, 2004


Town Clerk

Filed this _____ day of _____, 2004

County Clerk

SUMMARY SHEET OF
2004 TAX LEVY PAYABLE IN 2005

RATE LIMIT	FUND	LEVY AMOUNT
.3400	1 GENERAL	<u>85,200.00</u> ✓
	5 IMRF	<u>3,500.00</u> ✓
	35 LIABILITY INS	<u>6,000.00</u> ✓
	47 SOCIAL SECURITY	<u>5,000.00</u> ✓
_____	_____	_____
_____	_____	_____
_____	_____	_____

FILED

NOV 09 2004

Mark Sheldon
CHAMPAIGN COUNTY CLERK

TRUTH IN TAXATION CERTIFICATE OF COMPLIANCE

I, the undersigned, hereby certify that I am the presiding officer of Newcomb
TOWNSHIP, (Legal Name of Taxing District), and as such presiding officer I
certify that the levy ordinance, a copy of which is attached, was adopted pursuant to, and in all
respects in compliance with the provisions of Section 18-60 through 18-85 of the "Truth in
Taxation" law.

Check One of the Choices Below:

- 1) The taxing district published a notice in the newspaper and conducted a hearing meeting the requirements of the "Truth in Taxation Law."
- 2) The taxing district's aggregate levy did not exceed a 5% increase over the prior year's extension. Therefore, a notice and a hearing were not necessary.
- 3) The *proposed* aggregate levy did not exceed a 5% increase over the prior year's extension. Therefore, a hearing was not held. The *adopted* aggregate tax levy exceeded 5% of the prior year's extension and a notice was published within 15 days of its adoption in accordance with the "Truth in Taxation Law."
- 4) The adopted levy exceeded the amount stated in the published notice. A second notice was published within 15 days of the adoption in accordance with the "Truth in Taxation Law."

Date 11/11/2004

Presiding Officer Ronald E. Wenzel

FILED

NOV 09 2004

Mark Sheldon
CHAMPAIGN COUNTY CLERK

FILED

NOV 09 2004

Mark Sheldon
CHAMPAIGN COUNTY CLERK

TAX LEVY ORDINANCE

ROAD DISTRICT

ORDINANCE NO. 7

An ordinance levying taxes for all road purposes for Newcomb Township Road District Champaign County, Illinois, for the tax year 2004, collectable in 2005.

BE IT ORDAINED by the Board of Trustees of Newcomb Township, Champaign County, Illinois, as follows:

SECTION 1: That the Highway Commissioner of Newcomb Township Road District on November 1, 2004 does hereby determine and declare that the sum of one hundred fifty-two thousand five hundred ninety-two Dollar: (\$152,592.00) are hereby levied upon all property subject to taxation within the Road District as that property is assessed and equalized, in order to meet and defray all the necessary expenses and liabilities of the Road District as required by statute or voted by the people in accordance with the law, for such purposes as:

- General Road Fund, IMRF
- Permanent Road Fund, Insurance
- Building & Equipment, Social Security
- Joint Bridge

for the year 2004.

SECTION 2: That the amount levied for each object and purpose shall be as follows:

	<u>Amount Levied</u>	
<u>GENERAL ROAD FUND</u>		
<u>ADMINISTRATION</u>		
Personnel	7,000	
Contractual Services	7,000	
Commodities	6,500	
Capital Outlay	20,000	
Other Expenditures	3,575	
TOTAL ADMINISTRATION:		44,075
<u>MAINTENANCE</u>		
Personnel	8,000	
Contractual Services	8,000	
Commodities	9,000	
Capital Outlay	9,800	
Other Expenditures	1,321	
TOTAL MAINTENANCE:		36,121
TOTAL GENERAL ROAD FUND:		80,196

REF: General Road & Bridge Tax (605 ILCS 5/6-501 & 5/6-504)

AUDIT FUND

Contractual Services	0	
TOTAL AUDIT FUND:		0

REF: Audit Tax (50 ILCS 310/1 & 310/9)

INSURANCE FUND

Personnel	5,000	
Contractual Services	7,000	
TOTAL INSURANCE FUND:		12,000

REF: Insurance Tax (745 ILCS 10/9-107)

	<u>Amount Levied</u>	
<u>ILLINOIS MUNICIPAL RETIREMENT FUND</u>		
Personnel	3,000	
TOTAL IMRF FUND:		3,000
REF: IMRF Tax (40 ILCS 5/7-171)		

<u>SOCIAL SECURITY FUND</u>		
Personnel	3,600	
TOTAL SOCIAL SECURITY FUND:		3,600
REF: Social Security Tax (40 ILCS 5/21-110 & 5/21-110.1)		

<u>PERMANENT ROAD FUND</u>		
Personnel	17,170	
Contractual Services	7,987	
Commodities	15,509	
Other Expenditures	1,430	
TOTAL PERMANENT ROAD FUND:		42,096
REF: Permanent Road Tax (605 ILCS 5/6-601)		

<u>CONSTRUCTION OR REPAIR OF BRIDGES AT JOINT EXPENSE OF COUNTY FUND</u>		
Contractual Services	1,300	
Capital Outlay	1,300	
TOTAL CONSTRUCTION OR REPAIR OF BRIDGES AT JOINT EXPENSE OF COUNTY FUND:		2,600
REF: Bridge-Joint Const. With County Tax (605 ILCS 5/6-508)		

EQUIPMENT & BUILDING FUND

**Amount
Levied**

Contractual Services	0
Debt Service	0
Capital Outlay	9,100

TOTAL EQUIPMENT & BUILDING FUND: 9,100

REF: Equipment & Building Tax (605 ILCS 5/6-508.1)

FUND

Personnel	0
Contractual Services	0
Commodities	0
Capital Outlay	0
Other Expenditures	0

TOTAL _____ FUND: 0

REF: _____ Tax _____ ILCS _____

TAX LEVY SUMMARY

Road & Bridge Tax	80,196
Audit Tax	0
Insurance Tax	12,000
Illinois Municipal Retirement Tax	3,000
Social Security Tax	3,600
Permanent Road Tax	42,096
Bridge-Joint Construction	
With County Tax	2,600
Equipment & Building Tax	9,100
_____ Tax	0

TOTAL TAXES LEVIED: 152,592

Amount to be Levied was determined by the Highway Commissioner of

Newcomb Township _____ Road District.

Kevin Furthner

 Highway Commissioner

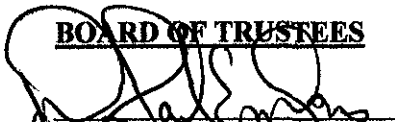

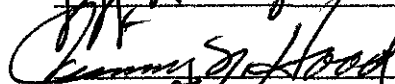

SECTION 3: That the Town Clerk shall file with the County Clerk of said County of _____Champaign_____, on or before the last Tuesday of December, a duly certified copy of this ordinance.

SECTION 4: That the Board of Trustees does hereby certify that the amount levied herein is necessary to be raised by taxation for road purposes for Newcomb Township Road District.


SECTION 5: That if any section, subdivision, or sentence of this ordinance shall for any reason be held invalid or to be unconstitutional, such finding shall not effect the validity of the remaining portion of this ordinance.

SECTION 6: That this ordinance shall be in full force and effect after its adoption, as provided by law.

ADOPTED THIS 1ST DAY OF NOVEMBER, 2004 pursuant to a roll call vote by the Board of Trustees of Newcomb Township, Champaign County, Illinois.

<u>BOARD OF TRUSTEES</u>	<u>AYE</u>	<u>NAY</u>	<u>ABSENT</u>
	✓	_____	_____
	✓	_____	_____
	✓	_____	_____
	✓	_____	_____
_____	_____	_____	_____


Town Clerk


Chairman - Board of Trustees

CERTIFICATION OF TAX LEVY ORDINANCE

ROAD DISTRICT

The undersigned, duly elected, Chairman, Board of Trustees, Newcomb _____
Township, Champaign County, Illinois, does hereby certify that the attached
hereto is a true and correct copy of the Tax Levy Ordinance, of said Road District for the year 2004
as adopted this 1st day of November, 2004.

This certification is made and filed pursuant to the requirements of (605 ILCS 5/6-501) and of behalf of
____Newcomb Township_____ Road District, _____Champaign_____ County,
Illinois. This certification must be filed by the last Tuesday in December.

Dated this 1st day of November, 2004



Chairman - Board of Trustees

Filed this day of ,2004.

County Clerk

SUMMARY SHEET OF
2004 TAX LEVY PAYABLE IN 2005

RATE LIMIT	FUND	LEVY AMOUNT
	5 IMRF	<u>\$ 3,000.00 ✓</u>
.3000	7 ROAD & BRIDGE	<u>80,196.00 ✓</u>
.0500	8 JOINT BRIDGE	<u>2,600.00 ✓</u>
.1670	9 PERMANENT ROAD	<u>42,096.00 ✓</u>
.0350	10 BLDG & EQUIPT	<u>9,100.00 ✓</u>
	35 LIABILITY INS	<u>12,000.00 ✓</u>
	47 SOCIAL SECURITY	<u>3,600.00 ✓</u>
<hr/>	<hr/>	<hr/>
<hr/>	<hr/>	<hr/>
<hr/>	<hr/>	<hr/>

FILED

NOV 09 2004

Mark Sheldon
CHAMPAIGN COUNTY CLERK

TRUTH IN TAXATION CERTIFICATE OF COMPLIANCE

I, the undersigned, hereby certify that I am the presiding officer of NEWCOMB TWP
ROAD DISTRICT, (Legal Name of Taxing District), and as such presiding officer I
certify that the levy ordinance, a copy of which is attached, was adopted pursuant to, and in all
respects in compliance with the provisions of Section 18-60 through 18-85 of the "Truth in
Taxation" law.

Check One of the Choices Below:

- 1) The taxing district published a notice in the newspaper and conducted a hearing meeting the requirements of the "Truth in Taxation Law."
- 2) The taxing district's aggregate levy did not exceed a 5% increase over the prior year's extension. Therefore, a notice and a hearing were not necessary.
- 3) The *proposed* aggregate levy did not exceed a 5% increase over the prior year's extension. Therefore, a hearing was not held. The *adopted* aggregate tax levy exceeded 5% of the prior year's extension and a notice was published within 15 days of its adoption in accordance with the "Truth in Taxation Law."
- 4) The *adopted* levy exceeded the amount stated in the published notice. A second notice was published within 15 days of the adoption in accordance with the "Truth in Taxation Law."

Date 11/1/04

Presiding Officer Ronald P. Menzies

FILED

NOV 09 2004

Mark Sheldon
CHAMPAIGN COUNTY CLERK